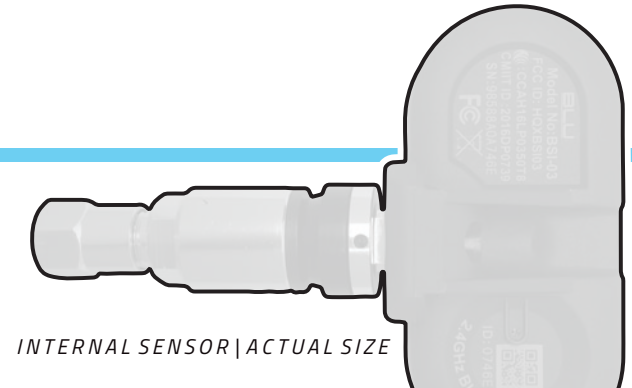


BLU

TPMS

TIRE PRESSURE MONITORING SYSTEM

- INTERNAL AND EXTERNAL OEM GRADE
- MONITOR PRESSURE AND TEMPERATURE
- BLUETOOTH LOW ENERGY TECHNOLOGY
- ANALYZE TIRE STATUS VIA MOBILE APP



INTERNAL SENSOR | ACTUAL SIZE



Monitoring both the pressure and temperature of vehicle tires, the BLU TPMS sensors communicate this critical data in near real-time to the companion app.

Available for both iOS and Android mobile devices, the free app will send notification alerts when tires stray too far from user defined parameters.



SMART | LIGHTWEIGHT | ESSENTIAL

Tire condition is **critical** for the safety of riders and drivers. If there is a problem, receiving a warning before it's too late can be a life saver.

The BLU TPMS External and Internal Tire Pressure Monitoring System monitors both the **pressure** and **temperature** of vehicle tires, providing drivers with an increased awareness of tire status.

Inflate your confidence with BLU TPMS!

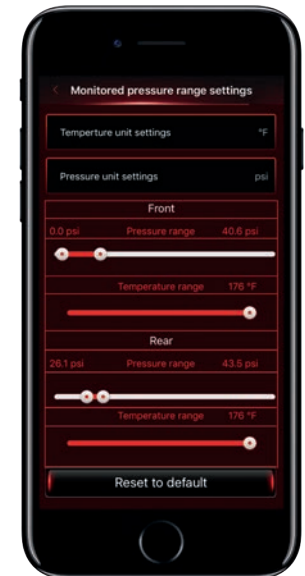
VIEW TIRE STATUS WITH MOBILE APP



- Multiple vehicle types available at setup
- Store up to 99 vehicles in one app account
- Tire temperature and pressure values are updated continuously
- Personalization of your vehicle settings



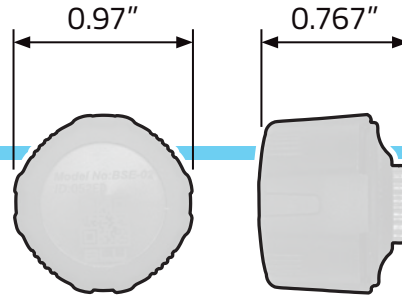
EXTERNAL | INTERNAL | EXPANDABLE



BLU

T P M S

TIRE PRESSURE MONITORING SYSTEM



EXTERNAL SENSOR | ACTUAL SIZE

sets and options part numbers

- 2 Piece Set, External 100 psi - 502100
- 3 Piece Set, External 100 psi - 503100
- 4 Piece Set, External 100 psi - 504100
- 6 Piece Set, External 100 psi - 506100
- 4 Piece Set, External 150 psi - 504150
- 6 Piece Set, External 150 psi - 506150
- 2 Piece Set, Internal 100 psi - 602100
- 3 Piece Set, Internal 100 psi - 603100
- 4 Piece Set, Internal 100 psi - 604100
- USB Audio Alert Module - 700000
- Bluetooth Signal Repeater - 710000

visit our website for more items

TIRE SAFETY IS A MUST
FOR YOUR

MOTORCYCLE | TRIKE
CAR | TRAILER | UTV
RV | CLASS 7 TRUCK



External Sensor 4 Piece Kit



OPTIONAL ACCESSORIES

FEATURES | SPECIFICATIONS

DURABLE RETAIL PACKAGING

- INTEGRATED 32-BIT ARM CORTEX M0 MCU
- PRESSURE RANGE: 0-100 PSI OR 0-150 PSI
- PRESSURE ACCURACY: ± 1 PSI NORMALIZED
- TEMPERATURE READING ACCURACY: $\pm 5^\circ$ F
- LIGHTWEIGHT AND LONG BATTERY LIFE
- OPTIONAL USB AUDIO ALERT MODULE
- OPTIONAL BLUETOOTH SIGNAL BOOSTER
- CHOOSE FROM 2, 3, 4, AND 6 PIECE KITS



Internal Sensor 4 Piece Kit



USB Audio Alert Module

Receive audio-only announcements, no phone needed.
Plugs into any available powered USB outlet.



If the length of your vehicle impedes sensor reception,
use our Signal Repeater to boost signal strength.

Bluetooth Signal Repeater

ADVANCED ACCESSORY CONCEPTS CORONA CA 951-339-1460

FOR MORE INFORMATION OR TO PURCHASE
WWW.TECHBYBLU.COM

AAC ADVANCED ACCESSORY CONCEPTS